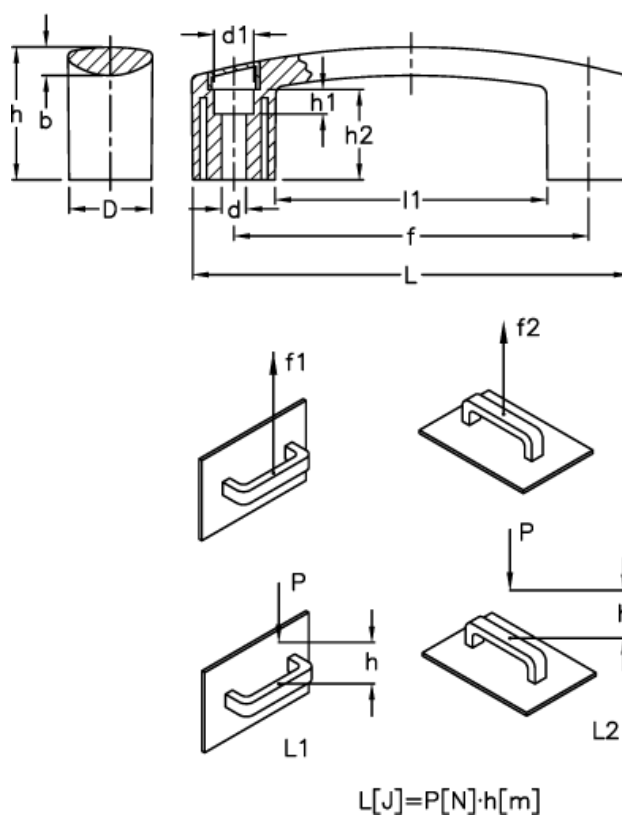


Data Sheet



Article number: 23052603116
Description: E+G Bridge handle
EBP.180-8-C6 Red

Measures



b	= 9.5	h1	= 14.0
d	= 8.5	h2	= 32.0
D	= 28.0	L	= 178.0
d1	= 13.5	l1	= 122.0
f	= 150 +/-1	L1 (J)	= 12
F1 (N)	= 2700	L2 (J)	= 5
F2 (N)	= 1500		
h	= 45		